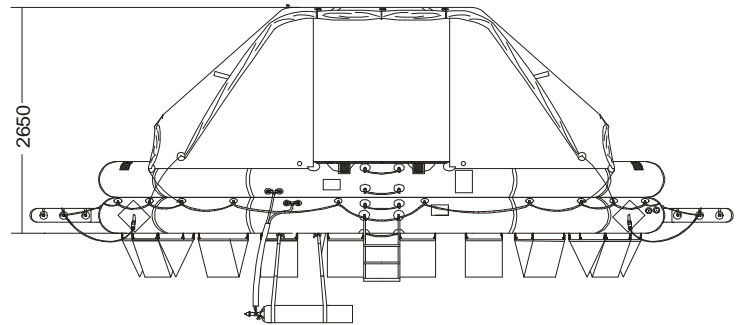
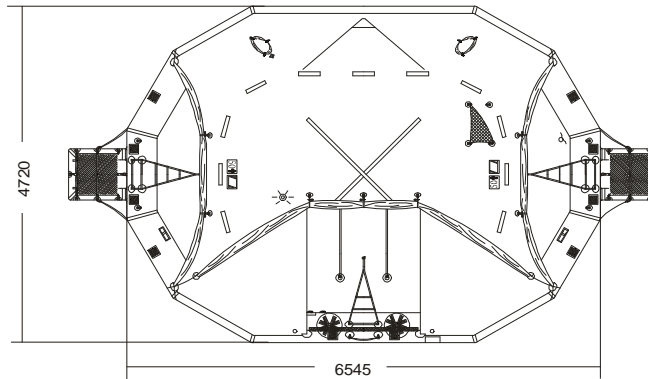
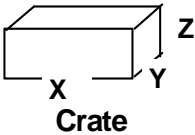




MARINE EVACUATION SYSTEM (MES) 50 MAN THROW OVER BOARD LIFERAFT ASSOCIATED WITH SMALL INFLATABLE SLIDE (SIS)



TECHNICAL INFORMATION (SIS information on page 2)

50 MAN MES SIS	A PACK			B PACK		
Container	N20			N18		
Dimensions	X: 1560 mm X: 5' 1,42"	Y: 952 mm Y: 3' 1,49"	Z: 960 mm Z: 3' 1,8"	X: 1560 mm X: 5' 1,42"	Y: 852 mm Y: 2' 9,55"	Z: 835 mm Z: 2' 8,88"
Liferaft Net Weight	369 kg / 814 pounds			233 kg / 514 pounds		
Max. height stowage	20 m / 66'			20 m / 66'		
Painter line length	35 m / 115'					
Inflation Cylinder	2 x 27 liter					
 Crate	X: 1650 mm X: 5' 4,97"	Y: 1050 mm Y: 3' 5,34"	Z: 1170 mm Z: 3' 10,07"	X: 1645 mm X: 5' 4,77"	Y: 940 mm Y: 3' 1,01"	Z: 1050 mm Z: 3' 5,34"
	438 kg / 966 pounds			288 kg / 635 pounds		
	2,028 m3 / 71,58 cubic foot			1,624 m3 / 57,34 cubic foot		
Towing force	2 knots			3 knots		
Without sea anchor	155 daN			235 daN		
With sea anchor	170 daN			275 daN		

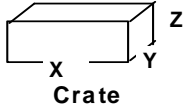
Dimensions and weight +/- 5% Zodiac reserves the right to change specification without notice.
For installation, add minimum +10mm for clearance to dimensions of the container.



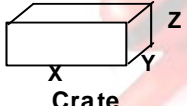
ZODIAC

MARINE SOLAS

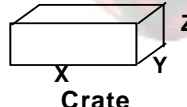
SIS	1,70 m			2,20 m		
Valise						
Dimensions	X:670mm	Y:300mm	Z:260mm	X:720mm	Y:425mm	Z:295mm
	X:2' 2,38"	Y:1' 11,82"	Z:10,24"	X:2' 4,35"	Y:1' 4,74"	Z:11,62"
Liferaft Net Weight	15 kg / 34 pounds			19 kg / 42 pounds		
Max. height stowage	1,70 m			2,20 m		
Painter line length	1,50 m			1,50 m		
Inflation Cylinder	1 x 2,83 litres			1 x 4 litres		

 Crate	X:830mm	Y:540mm	Z:330mm	X:830mm	Y:540mm	Z:330mm
	X:2' 8,68"	Y:1' 9,26"	Z:1' 1"	X:2' 8,68"	Y:1' 9,26"	Z:1' 1"
	17,6 kg / 39 pounds			21,6 kg / 48 pounds		
	0,148 m ³ / 5,23 cubic foot			0,148 m ³ / 5,23 cubic foot		

SIS	2,70 m			3,20 m		
Valise						
Dimensions	X:720mm	Y:450mm	Z:295mm	X:800mm	Y:450mm	Z:295mm
	X:2' 4,35"	Y:1' 5,72"	Z:11,62"	X:2' 7,5"	Y:1' 5,72"	Z:11,62"
Liferaft Net Weight	27 kg / 60 pounds			28,5 kg / 63 pounds		
Max. height stowage	2,70 m			3,20 m		
Painter line length	1,50 m			1,50 m		
Inflation Cylinder	1 x 6 litres			1 x 6,7 litres		

 Crate	X:830mm	Y:540mm	Z:330mm	X:830mm	Y:540mm	Z:330mm
	X:2' 8,68"	Y:1' 9,26"	Z:1' 1"	X:2' 8,68"	Y:1' 9,26"	Z:1' 1"
	29,6 kg / 66 pounds			31,1 kg / 69 pounds		
	0,148 m ³ / 5,23 cubic foot			0,148 m ³ / 5,23 cubic foot		

SIS	3,80 M		
	Valise		
Dimensions	X: 820 mm	Y: 450 mm	Z: 350 mm
	X: 2' 8,29"	Y: 1' 5,72"	Z: 1' 1,78"
Liferaft Net Weight	37 kg / 82 pounds		
Max. height stowage	3,8 m / 13'		
Painter line length	1,5 m / 5'		
Inflation Cylinder	1 x 10 liter		

 Crate	X: 920 mm	Y: 560 mm	Z: 370 mm
	X: 3' 0,23"	Y: 1' 10,05"	Z: 1' 2,57"
	40 kg / 89 pounds		
	0,191 m ³ / 6,74 cubic foot		

Approvals: **EC (MED)**

50 TO MES SIS cont rond Zodiac 05032009 KLT Issue: 1 Date: 05/03/2009

Dimensions and weight +/- 5% Zodiac reserves the right to change specification without notice.
For installation, add minimum +10mm for clearance to dimensions of the container.