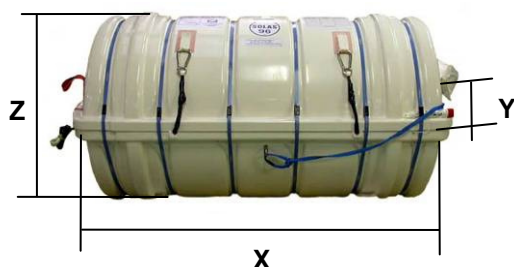
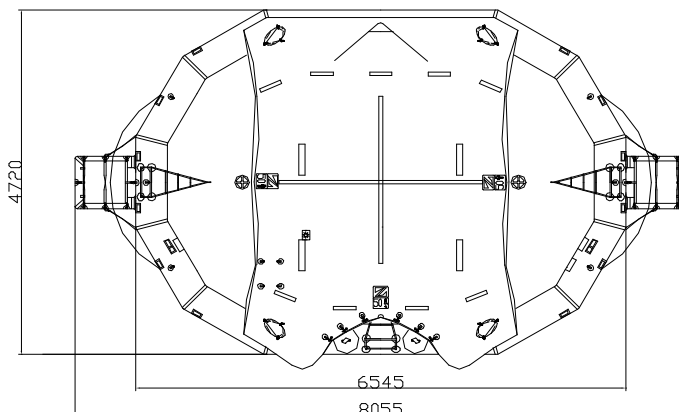
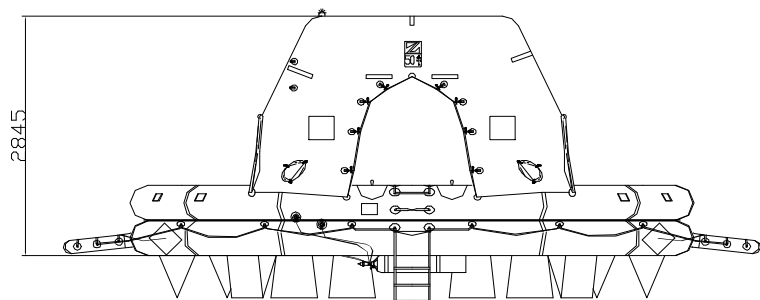




MARINE EVACUATION SYSTEM (MES) 50 MAN THROW OVER BOARD SELF RIGHTING LIFERAFT ASSOCIATED WITH SMALL INFLATABLE SLIDE (SIS)



TECHNICAL INFORMATION (SIS information on page 2)

| 50 MAN MES SIS | A PACK | | | B PACK | | |
|---------------------|---------------------------|--------------------------|-------------------------|---------------------------|--------------------------|--------------------------|
| Container | N20 | | | N18 | | |
| Dimensions | X: 1560 mm X: 5' 1,42" | Y: 952 mm Y: 3' 1,49" | Z: 960 mm Z: 3' 1,8" | X: 1560 mm X: 5' 1,42" | Y: 852 mm Y: 2' 9,55" | Z: 835 mm Z: 2' 8,88" |
| Liferaft Net Weight | 360 kg / 794 pounds | | | 246 kg / 543 pounds | | |
| Max. height stowage | 25 m / 83' | | | 27 m / 89' | | |
| Painter line length | 35 m / 115' | | | | | |
| Inflation Cylinder | 2 x 27 liter | | | | | |

| Crate | X: 1650 mm X: 5' 4,97" | Y: 1040 mm Y: 3' 4,95" | Z: 1160 mm Z: 3' 9,67" | X: 1645 mm X: 5' 4,77" | Y: 940 mm Y: 3' 1,01" | Z: 1050 mm Z: 3' 5,34" |
|--------|---|---------------------------|---------------------------|---|--------------------------|---------------------------|
| | Weight | 429 kg / 946 pounds | | | 301 kg / 664 pounds | |
| Volume | 1,991 m ³ / 70,29 cubic foot | | | 1,624 m ³ / 57,34 cubic foot | | |

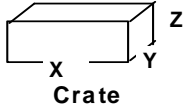
| Towing force | 2 knots | 3 knots |
|--------------------|---------|---------|
| Without sea anchor | 155 daN | 210 daN |
| With sea anchor | 170 daN | 225 daN |



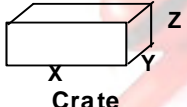
ZODIAC

MARINE SOLAS

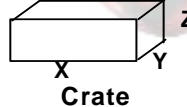
| SIS | 1,70 m | | | 2,20 m | | |
|---------------------|-------------------|------------|----------|-------------------|------------|----------|
| Valise | | | | | | |
| Dimensions | X:670mm | Y:300mm | Z:260mm | X:720mm | Y:425mm | Z:295mm |
| | X:2' 2,38" | Y:1'11,82" | Z:10,24" | X:2' 4,35" | Y:1' 4,74" | Z:11,62" |
| Liferaft Net Weight | 15 kg / 34 pounds | | | 19 kg / 42 pounds | | |
| Max. height stowage | 1,70 m | | | 2,20 m | | |
| Painter line length | 1,50 m | | | 1,50 m | | |
| Inflation Cylinder | 1 x 2,83 litres | | | 1 x 4 litres | | |

| | | | | | | |
|--|--|------------|---------|--|------------|---------|
|  Crate | X:830mm | Y:540mm | Z:330mm | X:830mm | Y:540mm | Z:330mm |
| | X:2' 8,68" | Y:1' 9,26" | Z:1' 1" | X:2' 8,68" | Y:1' 9,26" | Z:1' 1" |
| | 17,6 kg / 39 pounds | | | 21,6 kg / 48 pounds | | |
| | 0,148 m ³ / 5,23 cubic foot | | | 0,148 m ³ / 5,23 cubic foot | | |

| SIS | 2,70 m | | | 3,20 m | | |
|---------------------|-------------------|------------|----------|---------------------|------------|----------|
| Valise | | | | | | |
| Dimensions | X:720mm | Y:450mm | Z:295mm | X:800mm | Y:450mm | Z:295mm |
| | X:2' 4,35" | Y:1' 5,72" | Z:11,62" | X:2' 7,5" | Y:1' 5,72" | Z:11,62" |
| Liferaft Net Weight | 27 kg / 60 pounds | | | 28,5 kg / 63 pounds | | |
| Max. height stowage | 2,70 m | | | 3,20 m | | |
| Painter line length | 1,50 m | | | 1,50 m | | |
| Inflation Cylinder | 1 x 6 litres | | | 1 x 6,7 litres | | |

| | | | | | | |
|--|--|------------|---------|--|------------|---------|
|  Crate | X:830mm | Y:540mm | Z:330mm | X:830mm | Y:540mm | Z:330mm |
| | X:2' 8,68" | Y:1' 9,26" | Z:1' 1" | X:2' 8,68" | Y:1' 9,26" | Z:1' 1" |
| | 29,6 kg / 66 pounds | | | 31,1 kg / 69 pounds | | |
| | 0,148 m ³ / 5,23 cubic foot | | | 0,148 m ³ / 5,23 cubic foot | | |

| SIS | 3,80 M | | |
|---------------------|-------------------|-------------|-------------|
| | Valise | | |
| Dimensions | X: 820 mm | Y: 450 mm | Z: 350 mm |
| | X: 2' 8,29" | Y: 1' 5,72" | Z: 1' 1,78" |
| Liferaft Net Weight | 37 kg / 82 pounds | | |
| Max. height stowage | 3,8 m / 13' | | |
| Painter line length | 1,5 m / 5' | | |
| Inflation Cylinder | 1 x 10 liter | | |

| | | | |
|--|--|--------------|-------------|
|  Crate | X: 920 mm | Y: 560 mm | Z: 370 mm |
| | X: 3' 0,23" | Y: 1' 10,05" | Z: 1' 2,57" |
| | 40 kg / 89 pounds | | |
| | 0,191 m ³ / 6,74 cubic foot | | |

Approvals: **EC (MED)**

50 TO SR MES SIS Zodiac 05032009 KLT Issue : 1 Date: 05/03/2009

Dimensions and weight +/- 5% Zodiac reserves the right to change specification without notice.
For installation, add minimum +10mm for clearance to dimensions of the container.